

❖ SOFTWARE



Powered by **ABBYY®**

ABBYY FineReader Sprint

Unlocks the data inside paper-based documents, images and PDF files with enhanced accuracy that eliminates the need for retyping and reformatting. Tool that increases your productivity and efficiency which comes with simple user interface and supports recognition up to 183 languages.



DocAction

Plustek DocAction

Button utility to simplify document scanning. DocAction enables you to specify your personalized scanning configuration settings and scan documents with the touch of a button. Scanned documents are automatically sent directly to Printer, Email, Folder or FTP. DocAction also enables you to scan directly to many imaging and document management applications. DocAction saves scanned documents in all common imaging formats including: JPEG, TIFF, and PDF.

Hardware Requirements

Pentium® IV 2.4 GHz processor
DVD-ROM Driver
One available USB 2.0 Port
1GB RAM (2GB or higher recommended)
2GB free HDD space (3GB or larger recommended)

Trademarks

©2019 Plustek
Plustek is a registered trademark of Plustek Inc.
OCR processing by ABBYY® FineReader®, © 2019 ABBYY.
ABBYY and FineReader are trademarks of ABBYY Software, Ltd. which may be registered in some jurisdictions.
Any other products or company names appearing in this document are the trademarks or registered trademarks of the respective companies.

ArchivScanner.de
Competents for Documents
Bennostraße 2, 13053 Berlin
Shop@ArchivScanner.de
Telefon: 030 / 21 005 22 10

Specification

Image Sensor	CIS x 2
Light Source	LED
Optical Resolution	600 dpi
Hardware Resolution	600 x 600 dpi
Scan Modes	Color: Input 48-bit, Output 24-bit Grayscale: Input 16-bit, Output 8-bit Black & White: 1-bit
ADF Capacity	1. 100 sheets (A4/ Letter, 70 g/m ² or 18 Lbs), Max. thickness under 10 mm (0.4") 2. 50 sheets (A3, 70 g/m ² or 18 Lbs) 3. 20 sheets (Business Cards) 4. Plastic Card (Portrait Loading), Max. thickness under 1.2 mm, embossed cards can be scanned. Note: Maximum ADF capacity varies, depending upon paper weight.*
Scanning Speed (ADF)	80 ppm/ 160 ipm (Grayscale/ B&W mode, 300 dpi, A4 Landscape) 55 ppm/ 110 ipm (Color mode, 200 dpi, A4 Landscape) 36 ppm/ 72 ipm (Color mode, 300 dpi, A4 Landscape) Note: Results may vary depending upon your scanning application, computer processor and system memory.*
Scanning Area (W x L)	Max: 297 x 5080 mm (11.69" x 200") Min: 13.2 x 13.2 mm (0.52" x 0.52")
Acceptable Paper Sizes (W x L)	Max: 305 x 5080 mm (12" x 200") Min: 50.8 x 63.5 mm (2" x 2.5")
Acceptable Paper Weight (Thickness)	40 to 220 g/m ² (10 to 58 Lbs)
Multi-feed Detection	With ultrasonic technology
Daily Duty Scan (Sheets)	8,000
Action Button	4 Buttons: Up, Down, Scan, Standby 9 function keys: all customizable.*
Power Supply	24 Vdc/ 2.7 A
Interface	USB 2.0
Net Weight	6.57 Kgs (14.48 Lbs)
Dimensions (W x D x H)	436 x 262 x 266 mm (17.16" x 10.31" x 10.47")
Protocol	TWAIN Compliant
OS	Windows XP / Vista / 7 / 8 / 10



As an international ENERGY STAR Partner, Plustek has determined that this product meets the international ENERGY STAR Program for energy efficiency.



High Speed, Reliable, Cost Effective Departmental A3 Document Scanner



The Plustek SmartOffice SC8016U is a departmental class A3 sized document scanner that features 80ppm (160 ipm) scan speed, 100 sheet feeder and 8,000 page per day duty cycle. Industry standard TWAIN driver ensures compatibility with almost any document imaging application.

❖ KEY FEATURES

- 80ppm (160 ipm) scan speed (Grayscale, 300 dpi, A4 Landscape)
- Ultrasonic multi-feed detection
- No warm up time. Instant on LED illumination.
- Scans plastic cards, insurance cards, license cards, business cards up to 1.2mm
- Scans documents up to 200" long
- 8000 page per day duty cycle
- Advanced image enhancement to automatically straighten and rotate pages, adjust brightness, detect color and increase OCR accuracy.
- ENERGY STAR Certified



Performance – Fast scanning, large feeder, high daily duty cycle

Featuring a scan speed of 80 pages per minute, 160 images per minute in duplex mode, a 100 sheet feeder and a daily duty cycle of 8,000 pages per day, the SmartOffice SC8016U is designed for applications requiring frequent scanning of large document batches.



Productivity - Handles a wide range of paper and card with no sorting

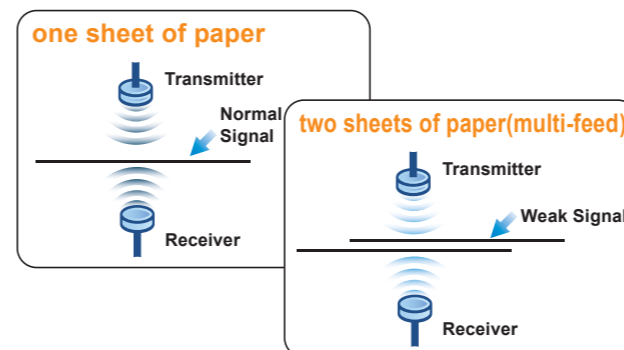


The SmartOffice SC8016U scans mixed batches of documents without the need for separating or sorting including embossed cards, such as IDs or driver licenses, and any sized paper document up to A3 size and 200" long. Coupled with Plustek's advanced image processing, the SC8016U provides you with automatically sized and exported images or PDFs. The A3 sized feeder easily handles documents from 2" x 2" to 11.69" x 200".



Easy-to-Use

Single-touch customizable button automates up to 9 frequent scanning jobs (e.g., Scan to PDF, Scan to file, email, network share, copy, etc.) The innovative automatic wake-up function turns the scanner on as soon as documents are placed in the feeder.



Intelligent Misfeed Function

The ultrasonic sensor detects double feeding of original documents during scanning, and prevents double feeding and effectively scans documents of different weights or thickness. The ultrasonic function can be turned off when scanning document with labels, sticky notes, or taped receipts.

Built in image processing ensures the highest image quality, reduces rescans, increases OCR accuracy and now includes automatic color detect.

- #### 1 Auto Mode

automatically detects document color and scans document in color, grayscale or black & white mode.
- #### 2 Auto Rotate

automatically rotates document based on the contents of the document.
- #### 3 Auto Crop & Deskew

automatically straightens and crops image to the document's actual size.
- #### 4 Color Dropout

removes red, green or blue color when scanning forms.
- #### 5 Blank Page Removal

automatically removes blank pages without manual editing.
- #### 6 Merge Pages

allows you to scan both sides of your folded document and merge them into one image.



Supports document scanning up to A3 size.



Fast scanning at speeds up to 80ppm/160ipm in Grayscale mode, and 45ppm/90ipm in Color mode.



Effective scanning with large Automatic Document Feeder up to 100 sheets.



Scans embossed rigid cards such as ID cards, insurance cards, drivers licenses and credit cards up to 1.2mm. Perfect for vertical applications such as healthcare, pharmacy, accounting, hospitality, etc.



Digitize paper business cards into easily-managed and sorted contacts, and turn your business cards into information.



Save paper documents as searchable PDFs at the touch of a button and find your information faster.